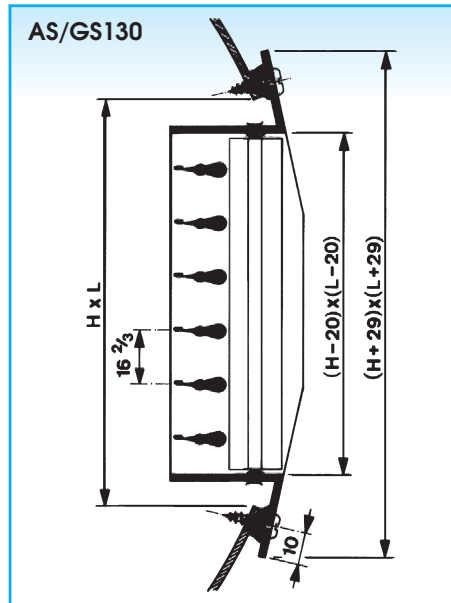
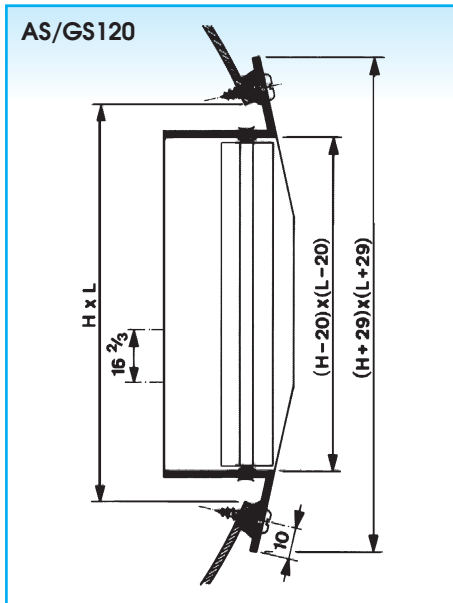


GRILLE FOR CIRCULAR DUCTS

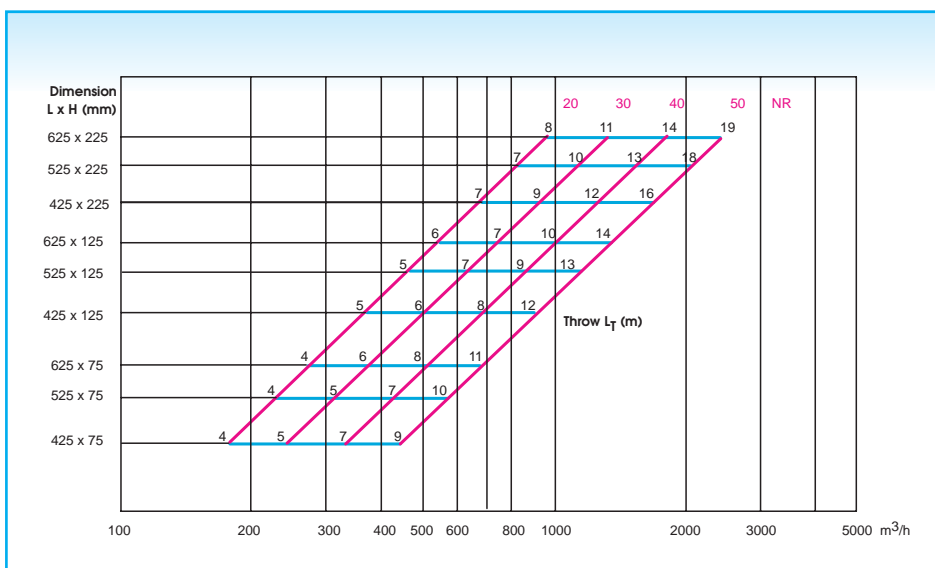
AS/GS 100/110/120/130 • steel / alumium / galvanized

Installation dimensions



Nominal dimensions:
 L = nominal length (mm)
 H = nominal height (mm)
 All dimensions in mm

Fast selection diagram



Throw factor is based on a v_p of 0,17 m/s in the occupied zone.
 See p. 1 160 for a detailed selection.
 Only for supply. For exhaust, see p. 1 160



Application

The grille type AS/GS is used for the supply and exhaust of cooled or heated air in facilities such as warehouses, workshops, commercial centres, ...
 The grille can be direct mounted on a circular duct.
 The vanes can be adjusted manually and individually to obtain an optimal air distribution.

Technical information

Characteristics:

- free passage ca. 70 % (depending on the position of the vanes)
- AS/GS 120: exhaust grille
- AS/GS 130: supply grille
- nom. L = 225, 325, 425, 525, 625, 825, 1025, 1225 mm
- nom. H = 75, 125, 225, 325 mm

Construction:

- **GS...G: galvanized**
- AS: roll-formed aluminium sheet*
- GS: roll-formed steel sheet*

* Both phosphated and painted white (RAL 9010)

Specifications description

Example:

Steel supply and exhaust grille with individually adjustable vanes for circular duct mounting, equipped with an inclined damper.

The grille is painted white (RAL 9010)

Type: **GS130 + GT005**

nom. dim. (L x H) ... x ... mm

Accessories

- **GT005:** steel sheet inclined hit-and-miss damper, painted black
- **GT006:** steel sheet hit-and-miss damper, painted black
- **GT007:** damper with vertical opposed blades. Galvanised steel sheet painted black

Fixing

Visible screw fixing

Fixing dimensions

Nominal dimensions L x H (mm)	Dimensions			Duct Diam. (mm)	
	A	B	C	min.	max.
425 x 75	35	65	99	160	400
525 x 75	35	65	108	160	400
625 x 75	35	65	116	160	400
425 x 125	41	71	105	315	900
525 x 125	41	71	114	315	900
625 x 125	41	71	122	315	900
425 x 225	50	80	114	630	1400
525 x 225	50	80	123	630	1400
625 x 225	50	80	131	630	1400
425 x 325	55	85	120	900	2400
525 x 325	55	85	129	900	2400
625 x 325	55	85	137	900	2400

How to order

GS135, dimension 625 x 125 mm, with hit-and-miss damper GT005

G	S	1	3	5	-	G	0	6	2	5	0	1	2	5
---	---	---	---	---	---	---	---	---	---	---	---	---	---	---

L H

G: galvanized grille

- 0: without a damper
- 5: inclined hit-and-miss damper GT005
- 6: hit-and-miss damper GT006
- 7: damper GT007
- 8: damper GT008

- 0: single row of horizontal vanes (max. nominal length 525 mm)
- 1: front row of horizontal vanes and back row of vertical vanes (max. nominal length 525 mm)
- 2: single row of vertical vanes
- 3: front row of vertical vanes and back row of horizontal vanes (max. nominal length 525 mm)

- G: steel (painted / galvanized)
- A: aluminium

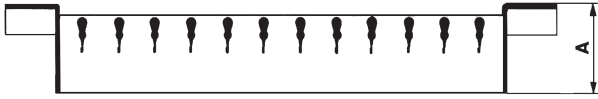
Characteristics:

nominal length: 225 - 325 - 425 - 525 - 625 - 825 - 1025 - 1225 mm

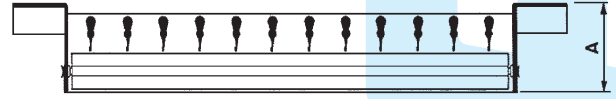
nominal height: 75 - 125 - 225 - 325 mm

Delivery possibilities

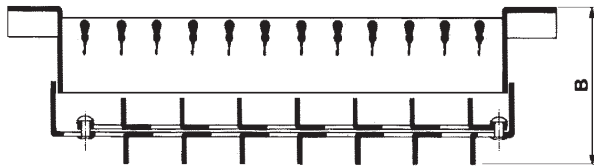
AS/GS120



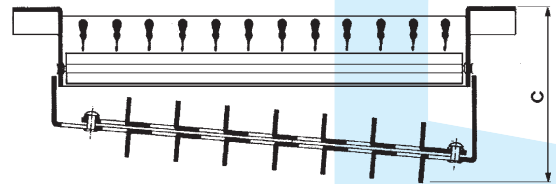
AS/GS130



AS/GS126



AS/GS135



Aluminium	Steel	Construction
AS120	GS120	Exhaust grille with single row of vertical vanes
AS126	GS126	AS/GS120 with hit-and-miss damper GT006
AS130	GS130	Supply grille with front row of vertical vanes and back row of horizontal vanes
AS135	GS135	AS/GS130 with inclined hit-and-miss damper GT005

