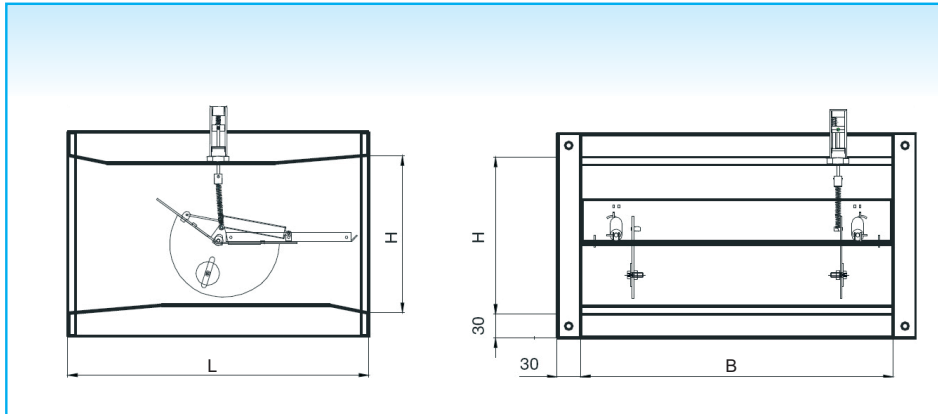


SQUARE VOLUME FLOW CONTROLLER SVC

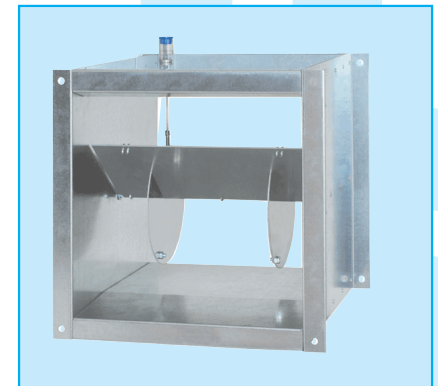
Installation dimensions



All dimensions in mm

B mm		H mm		L mm
from	to	from	to	
150	200	150	200	220
201	250	150	200	220
		201	250	385
251	300	150	200	220
		201	250	385
		251	300	385
301	350	150	200	220
		201	250	385
		251	300	385
351	400	150	200	220
		201	250	385
		251	300	385
401	500	200	250	385
		251	300	385
501	600	200	300	385

B mm	H mm	L mm
200	100	220
300	100	220
400	100	220
400	400	385
500	400	385
600	400	385
500	500	425
600	500	425
600	600	470



Application

Adjustable self-regulating constant air volume control damper in galvanized steel.

To be used to regulate airflows at pressures between 20 and 1000 Pa and temperature ranges between -30°C and 100°C.

Big sizes will consist of double valves. Desired air volume should always be mentioned when ordering.

For air volume regulation in rectangular ventilation and air-conditioning systems

Material

- Galvanized steel housing
- Aluminium regulation blade with piston and spring

Colour

galvanized steel

Composition

- Rectangular housing made out of galvanized steel in standard duct sizes with flange 30 mm
- Balanced self-regulating aluminium blade with PTFE bearing and piston to prevent oscillations

Mounting

- to be joined at both sides with the rectangular ductwork
- horizontal or vertical mounting

Accessories

Stainless steel models and insulation shells available upon request

Text for tender

- The constant volume control damper shall be of the rectangular type, made of galvanised steel and to be joined at both ends with rectangular ductwork. They shall contain a self-regulating valve, piston and stainless steel spring. The valves shall be used for a pressure range between 20 and 1000 Pa.
- Grada type SVC

How to order

Square Volume flow Controller, with length 100 mm and height 200 mm, for an air volume of 500 m³/h.

S	V	C	0	5	0	0	0	4	0	0	0	2	0	0
Air Volume							L			H				